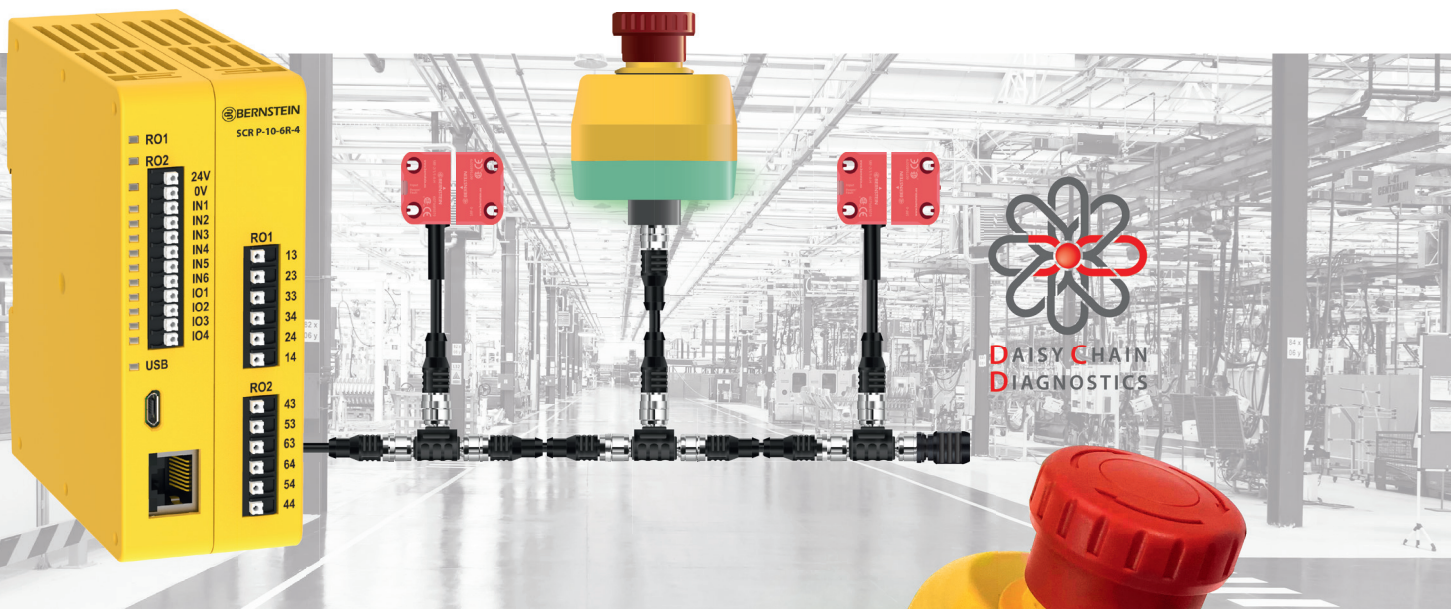


NEW



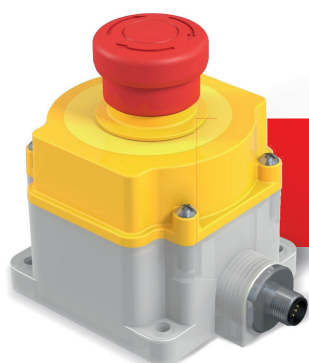
Shine a Light on Innovative Safety Technology The Emergency Stop Button SEU

In order to simply and intelligently implement the requirement of the Machinery Directive, that every machine has to be equipped with at least one Emergency Stop device, BERNSTEIN AG launches a new generation of emergency stop buttons offering modern and smart features perfectly suited for a variety of applications.



PRODUCT-HIGHLIGHTS

- **Current status clearly visible** through large LED display
- **Comprehensive diagnostic possibilities** thanks to patented BERNSTEIN DCD Technology
- **Reduction of downtimes** due to visible status display and extensive DCD diagnostic data
- **Simple wiring** thanks to integrated M12 connector
- **OPTIONAL Local reset function** maximises user safety



Simple. Perfect. Integration
into the SMART Safety System

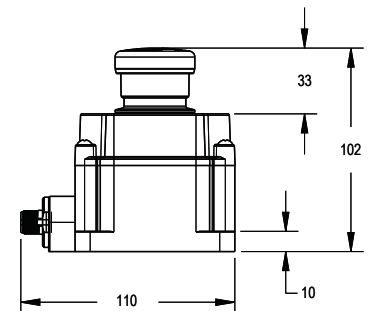
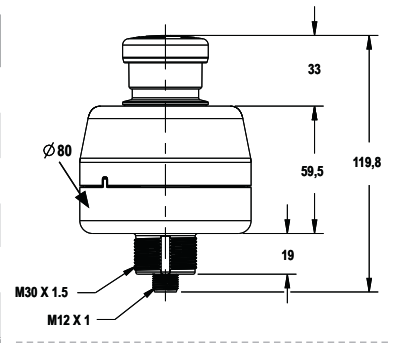


Order details SEU – Illuminated E-Stop

Available as base or flush mount version

Picture	Designation	Article number	Reset Function	Illumination colour *
	SEU-4/0/3-P86-C	6075689166	No	yellow/red
	SEU-4/0/1-P86-C	6075689167	No	off/red
	SEU-4/0/2-P86-C	6075689168	No	green/red
	SEU-4/3/3-P86-C	6075689172	Yes	yellow/red
	SEU-4/3/1-P86-C	6075689173	Yes	off/red
	SEU-4/3/2-P86-C	6075689174	Yes	green/red
	SEU-3/0/3-P81-C	6075689169	No	yellow/red
	SEU-3/0/1-P81-C	6075689170	No	off/red
	SEU-3/0/2-P81-C	6075689171	No	green/red
	SEU-3/3/3-P81-C	6075689175	Yes	yellow/red
	SEU-3/3/1-P81-C	6075689176	Yes	off/red
	SEU-3/3/2-P81-C	6075689177	Yes	green/red

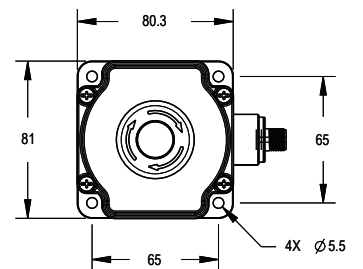
* First colour indicates released state, second colour indicates operated state



Technical Data

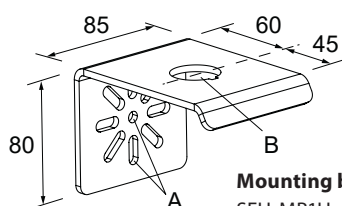
- Rated operational voltage (Ue): 24 V DC
- Housing/button material: Polycarbonate / Polyamide
- Safety data: Up to PL e / Cat. 4 and SIL CL 3
- Ambient Temperature: – 25 °C to + 50 °C
- IP rating: IP65 / with WDC IP67 / IP69 (EN 60529)
- Certifications:

in preparation



Accessories and order details

Designation	Article number	Description
SEU-MB1H	6075689178	E-Stop mounting bracket, metal, black
SEU-MB1H-S	6075689179	E-Stop mounting bracket, stainless steel
SEU-WDC	6075689182	Silicone Washdown Cover IP67/69 for SEU-4



Mounting bracket
SEU-MB1H ...
Dimensions: A= Ø 7mm, B= Ø 30mm



Silicone Washdown Cover
SEU-WDC